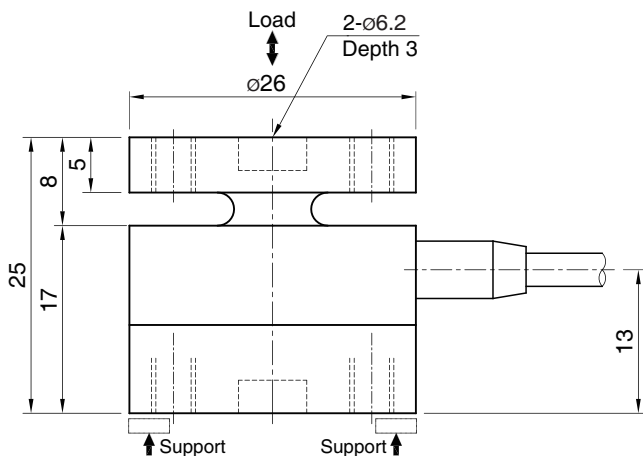
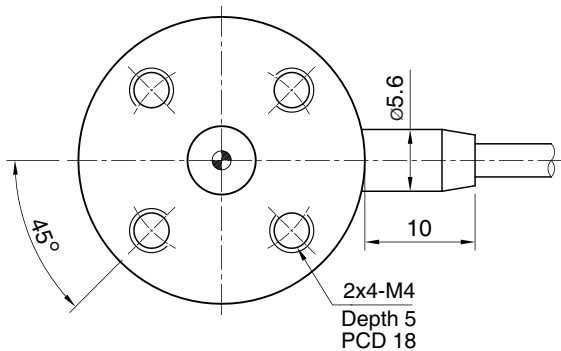


## Model CBFM Series

Tension & Compression  
(10~50kg)

- One-direction force structure
- Stainless steel element



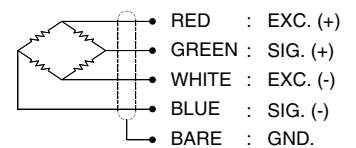
### SPECIFICATIONS

MODEL	CBFM
Rated capacity (R.C.)	10, 20, 50kg
Rated output	1.0mV/V (Nominal)
Non-linearity	≤0.5% R.O.
Hysteresis	≤0.5% R.O.
Non-repeatability	≤0.2% R.O.
Zero balance	≤1% R.O.
Compensated temperature range	-10 ~ 70°C
Operating temperature range	-20 ~ 80°C
Temp. effect on rated output	≤0.4% LOAD/10°C
Temp. effect on zero balance	≤0.2% R.O./10°C
Terminal input resistance	400 Ohms ± 50 Ohms
Terminal output resistance	350 Ohms ± 5 Ohms
Insulation resistance (Min.)	2000 MOhms at 50V DC
Excitation voltage	3~5V(Recommended), 10V(Max.)
Electrical connection	ø3mm x 1.5m(28AWG x 4C Shielded)
Protection class	meet IP 65
Safe overload	150% R.C
Ultimate overload	300% R.C
Material	Stainless steel (17-4PH)

### ORDERING INFORMATION

**CBFM - 20**  
 MODEL CAPACITY  
 CBFM 10, 20, 50kg

### WIRING INFORMATION



\* Specifications are subject to change without notice

Jun, 2026

**BONGSHIN LOADCELL CO., LTD.**

55, Seobuk-ro, Gajang Ind. Complex, Osan-si, Korea / 18103  
 TEL : 82-31-742-6661 www.bongshin.com  
 FAX : 82-31-742-6664 E-mail : loadcell@bongshin.com